

EN2997YE7

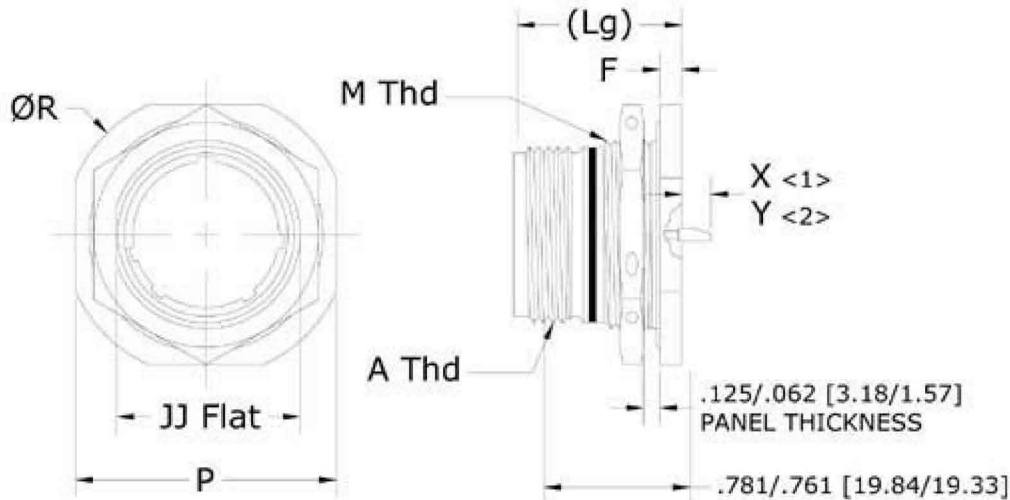
Hermetic Jam Nut Mount Receptacle (Pin)

EN2997

AECMA Series

SHELL SIZE	ØR	X <1>	Y <2>
8	1.078/1.047 [27.38/26.59]	.180/.120 [4.57/3.05]	.210/.150 [5.33/3.81]
10	1.192/1.161 [30.28/29.49]	.180/.120 [4.57/3.05]	.210/.150 [5.33/3.81]
12	1.380/1.349 [35.05/34.26]	.180/.120 [4.57/3.05]	.210/.150 [5.33/3.81]
14	1.516/1.485 [38.51/37.72]	.180/.120 [4.57/3.05]	.210/.150 [5.33/3.81]
16	1.641/1.610 [41.68/40.89]	.180/.120 [4.57/3.05]	.210/.150 [5.33/3.81]
18	1.766/1.735 [44.86/44.07]	.180/.120 [4.57/3.05]	.210/.150 [5.33/3.81]
20	1.954/1.923 [49.63/48.84]	.180/.120 [4.57/3.05]	.210/.150 [5.33/3.81]
22	2.078/2.047 [52.78/51.99]	.169/.109 [4.29/2.77]	.199/.139 [5.05/3.53]
24	2.182/2.152 [55.42/54.66]	.169/.109 [4.29/2.77]	.199/.139 [5.05/3.53]
28	2.434/2.403 [61.82/61.04]	.169/.109 [4.29/2.77]	.199/.139 [5.05/3.53]

NOTES:
 <1> = FOR SIZE 20 CONTACTS
 <2> = FOR SIZE 16 & 12 CONTACTS



SHELL SIZE	A Thd CLASS 2A	F	JJ Flat	(Lg) MAX	M Thd CLASS 2A	P
8	.562-24 UNEF	.137/.097 [3.48/2.46]	.596/.590 [15.14/14.99]	.918 [23.31]	.625-25 UN	.980/.949 [24.89/24.10]
10	.688-24 UNEF	.137/.097 [3.48/2.46]	.721/.715 [18.31/18.16]	.918 [23.31]	.750-20 UNEF	1.104/1.073 [28.04/27.25]
12	.875-20 UNEF	.137/.097 [3.48/2.46]	.908/.902 [23.06/22.91]	.918 [23.31]	.938-20 UNEF	1.291/1.260 [32.79/32.00]
14	.938-20 UNEF	.137/.097 [3.48/2.46]	.971/.965 [24.66/24.51]	.918 [23.31]	1.000-20 UNEF	1.391/1.360 [35.33/34.54]
16	1.062-18 UNEF	.137/.097 [3.48/2.46]	1.096/1.090 [27.84/27.69]	.918 [23.31]	1.125-18 UNEF	1.516/1.485 [38.51/37.72]
18	1.188-18 UNEF	.137/.097 [3.48/2.46]	1.220/1.214 [30.99/30.84]	.918 [23.31]	1.250-18 UNEF	1.641/1.610 [41.68/40.89]
20	1.312-18 UNEF	.137/.097 [3.48/2.46]	1.345/1.339 [34.16/34.01]	.918 [23.31]	1.375-18 UNEF	1.766/1.735 [44.86/44.07]
22	1.438-18 UNEF	.148/.128 [3.76/3.25]	1.470/1.464 [37.34/37.19]	.929 [23.60]	1.500-18 UNEF	1.954/1.923 [49.63/48.84]
24	1.562-18 UNEF	.148/.128 [3.76/3.25]	1.595/1.589 [40.51/40.36]	.929 [23.60]	1.625-18 UNEF	2.079/2.048 [52.81/52.02]
28	1.812-16 UN	.148/.128 [3.76/3.25]	1.842/1.836 [46.78/46.63]	.929 [23.60]	1.875-16 UN	2.331/2.300 [59.21/58.42]

DIMENSIONS ARE IN INCHES [MILLIMETERS], TOLERANCE UNLESS OTHERWISE NOTED IS ±.005 [0.13]