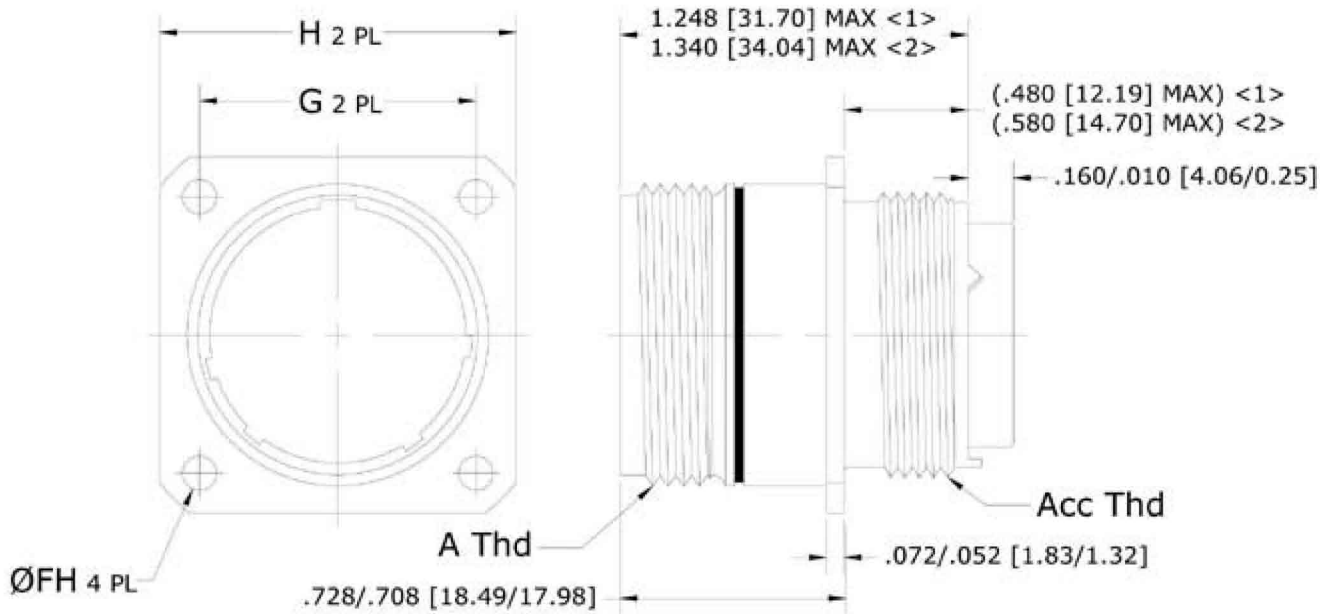


M83723/82

MIL-DTL-83723

Square Flange Mount Environment Resisting Receptacle (Socket)

Series III – Threaded Coupling



SHELL SIZE	A Thd CLASS 2A	Acc Thd CLASS 2A	G BASIC	ØFH	H
<b>8</b>	.562-24 UNEF	.500-20 UNF	.594 [15.09]	.125/.116 [3.18/2.95]	.812 [20.62]
<b>10</b>	.688-24 UNEF	.625-24 UNEF	.719 [18.26]	.125/.116 [3.18/2.95]	.937 [23.80]
<b>12</b>	.875-20 UNEF	.750-20 UNEF	.812 [20.62]	.125/.116 [3.18/2.95]	1.031 [26.19]
<b>14</b>	.938-20 UNEF	.875-20 UNEF	.906 [23.01]	.125/.116 [3.18/2.95]	1.125 [28.58]
<b>16</b>	1.062-18 UNEF	1.000-20 UNEF	.969 [24.61]	.125/.116 [3.18/2.95]	1.250 [31.75]
<b>18</b>	1.188-18 UNEF	1.062-18 UNEF	1.062 [26.97]	.125/.116 [3.18/2.95]	1.343 [34.11]
<b>20</b>	1.312-18 UNEF	1.188-18 UNEF	1.156 [29.63]	.125/.116 [3.18/2.95]	1.437 [36.50]
<b>22</b>	1.438-18 UNEF	1.312-18 UNEF	1.250 [31.75]	.125/.116 [3.18/2.95]	1.562 [39.67]
<b>24</b>	1.562-18 UNEF	1.438-18 UNEF	1.375 [34.92]	.154/.145 [3.91/3.68]	1.703 [43.26]
<3> <b>28</b>	1.812-16 UN	1.75018 UNS	1.562 [39.67]	.154/.145 [3.91/3.68]	2.000 [50.80]

<1> = FOR CLASS A, G, K, R, & W

<2> = FOR CLASS N & S

<3> = CONNECTOR SIZE NOT PER M83723

DIMENSIONS ARE IN INCHES [MILLIMETERS], TOLERANCE UNLESS OTHERWISE NOTED IS ±.005 [0.13]