

# HiREL CONNECTORS INC.

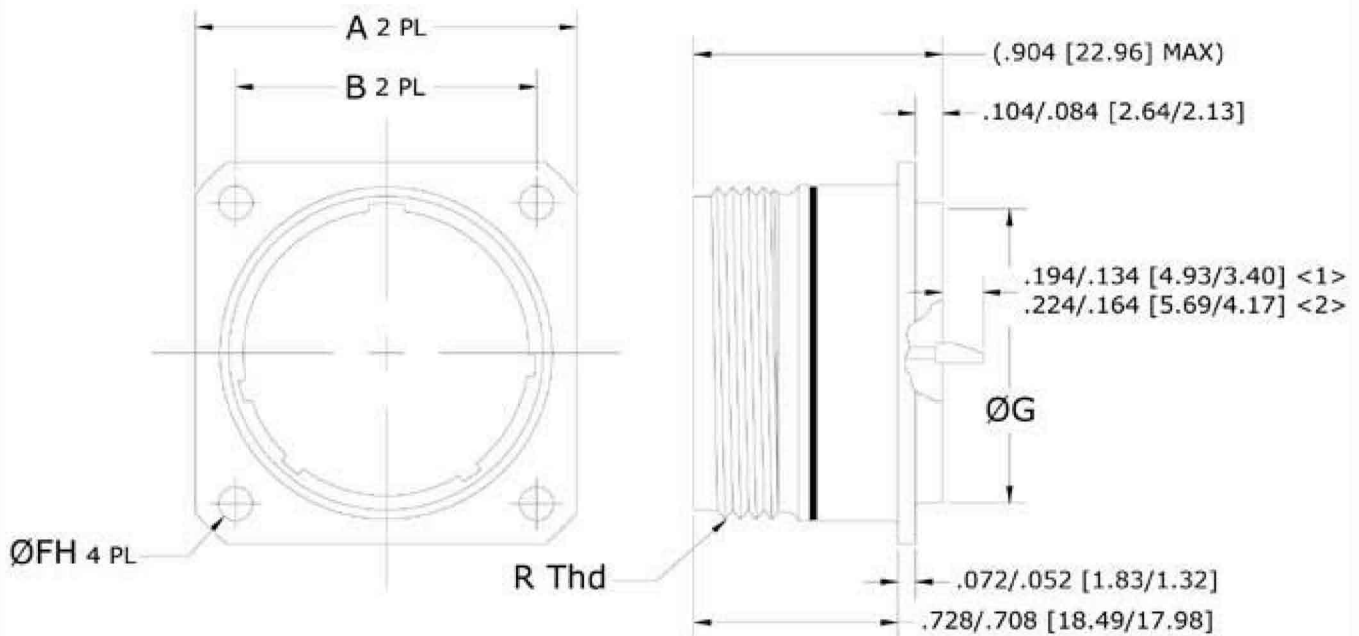


**M83723/88**

Hermetic Flange Mount Receptacle (Pin Solder Cup)

**MIL-DTL-83723**

Series III – Threaded Coupling



SHELL SIZE	A	B	ØFH	ØG	R CLASS 2A
<b>8</b>	.812 [20.62]	.594 [15.09]	.125/.116 [3.18/2.95]	.500/.494 [12.70/12.55]	.562-24 UNEF
<b>10</b>	.937 [23.80]	.719 [18.26]	.125/.116 [3.18/2.95]	.562/.556 [14.27/14.12]	.688-24 UNEF
<b>12</b>	1.031 [26.19]	.812 [20.62]	.125/.116 [3.18/2.95]	.750/.744 [19.05/18.90]	.875-20 UNEF
<b>14</b>	1.125 [28.58]	.906 [23.01]	.125/.116 [3.18/2.95]	.812/.806 [20.62/20.47]	.938-20 UNEF
<b>16</b>	1.250 [31.75]	.969 [24.61]	.125/.116 [3.18/2.95]	.937/.931 [23.80/23.65]	1.062-18 UNEF
<b>18</b>	1.343 [34.11]	1.062 [26.97]	.125/.116 [3.18/2.95]	1.062/1.056 [26.97/26.82]	1.188-18 UNEF
<b>20</b>	1.437 [36.50]	1.156 [29.63]	.125/.116 [3.18/2.95]	1.187/1.181 [30.15/30.00]	1.312-18 UNEF
<b>22</b>	1.562 [39.67]	1.250 [31.75]	.125/.116 [3.18/2.95]	1.312/1.306 [33.32/33.17]	1.438-18 UNEF
<b>24</b>	1.703 [43.26]	1.375 [34.92]	.154/.145 [3.91/3.68]	1.437/1.431 [36.50/36.35]	1.562-18 UNEF
<3> <b>28</b>	2.000 [50.80]	1.562 [39.67]	.154/.145 [3.91/3.68]	1.686/1.680 [42.82/42.67]	1.812-16 UN

- <1> = FOR SIZE 20 CONTACTS
- <2> = FOR SIZE 16 & 12 CONTACTS
- <3> = CONNECTOR SIZE NOT PER M83723

DIMENSIONS ARE IN INCHES [MILLIMETERS], TOLERANCE UNLESS OTHERWISE NOTED IS ±.005 [0.13]