

HiREL CONNECTORS INC.

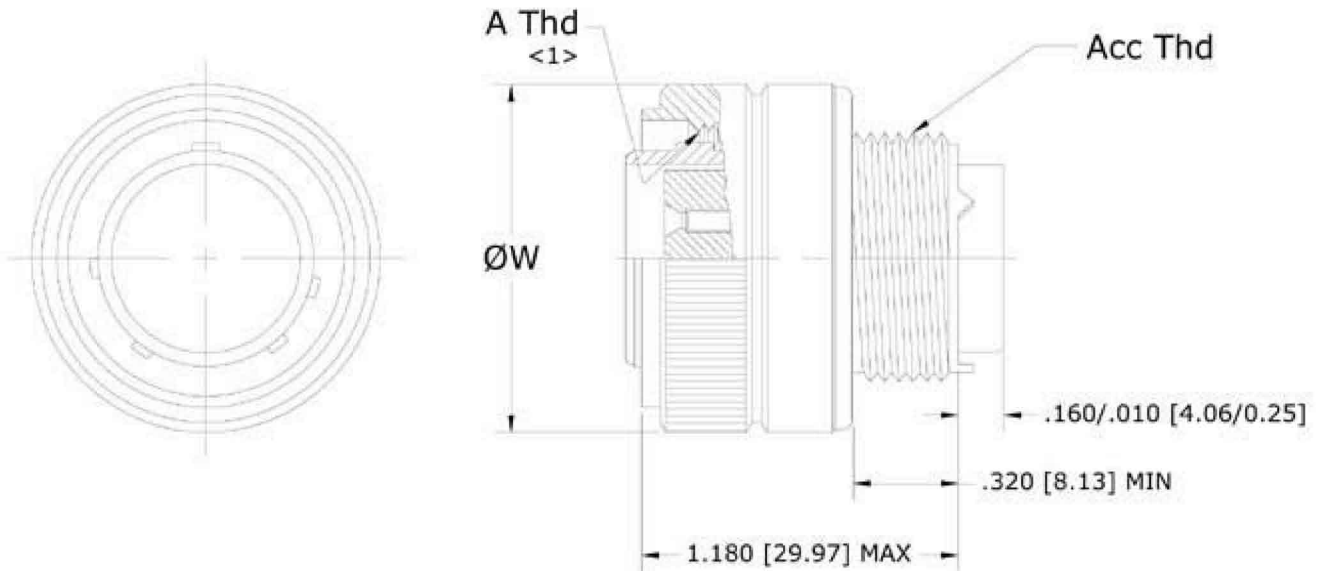


M83723/95

MIL-DTL-83723

Environment Resisting Plug without RFI Spring Fingers (Socket)

Series III – Threaded Coupling



SHELL SIZE	A Thd CLASS 2B	Acc Thd CLASS 2A	W MAX
8	.562-24 UNEF	.500-20 UNF	.832 [21.13]
10	.688-24 UNEF	.625-24 UNEF	.959 [24.36]
12	.875-20 UNEF	.750-20 UNEF	1.097 [27.86]
14	.938-20 UNEF	.875-20 UNEF	1.236 [31.39]
16	1.062-18 UNEF	1.000-20 UNEF	1.360 [34.54]
18	1.188-18 UNEF	1.062-18 UNEF	1.473 [37.41]
20	1.312-18 UNEF	1.188-18 UNEF	1.586 [40.28]
22	1.438-18 UNEF	1.312-18 UNEF	1.703 [43.26]
24	1.562-18 UNEF	1.438-18 UNEF	1.846 [46.89]
<2> 28	1.812-16 UN	1.750-18 UNS	2.175 [55.24]

<1> HIRELCO HAS INCORPORATED A PATENTED SELF-LOCKING MECHANISM INTO OUR PLUGS THAT HAVE PROVEN TO STAY LOCKED UNDER EXTREME VIBRATION

<2> CONNECTOR SIZE NOT PER M83723

DIMENSIONS ARE IN INCHES [MILLIMETERS], TOLERANCE UNLESS OTHERWISE NOTED IS ±.005 [0.13]