

HiREL CONNECTORS INC.

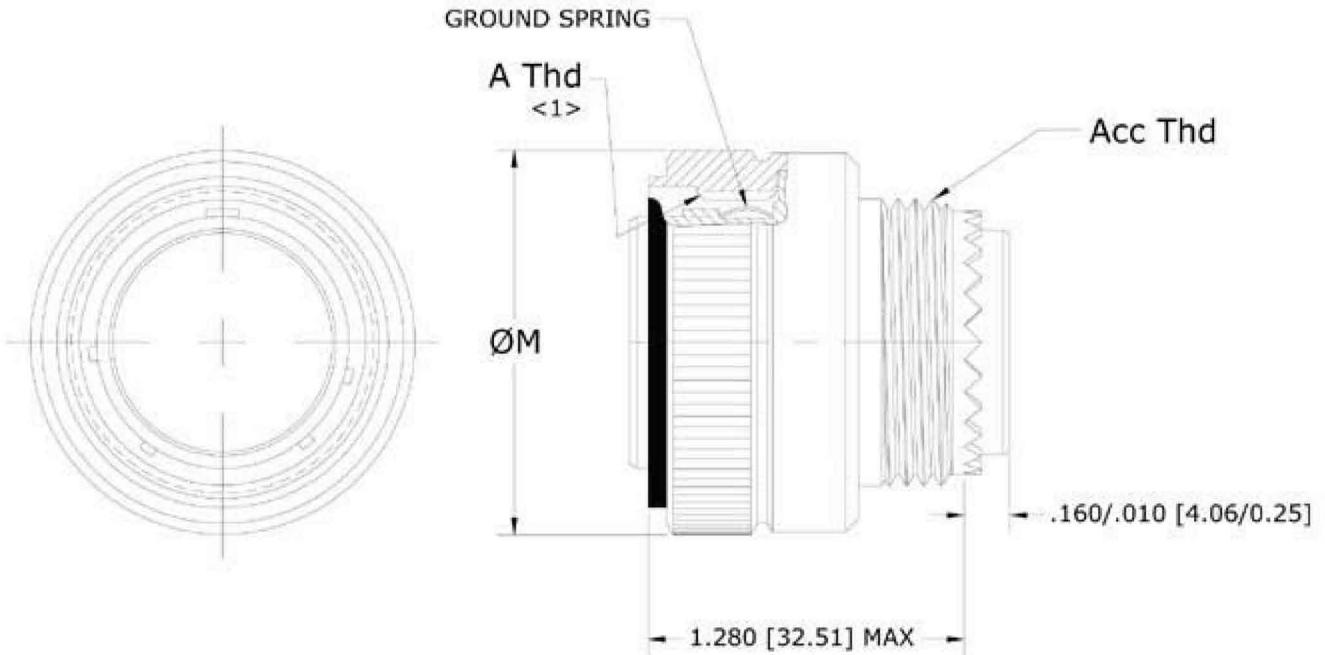


M83723/97

MIL-DTL-83723

Environment Resisting Plug with RFI Spring Fingers (Socket)

Series III – Threaded Coupling



SHELL SIZE	A Thd CLASS 2B	Acc Thd CLASS 2A	M MAX
8	.562-24 UNEF	.500-20 UNF	.967 [24.56]
10	.688-24 UNEF	.625-24 UNEF	1.093 [27.76]
12	.875-20 UNEF	.750-20 UNEF	1.170 [29.71]
14	.938-20 UNEF	.875-20 UNEF	1.310 [33.27]
16	1.062-18 UNEF	1.000-20 UNEF	1.500 [38.10]
18	1.188-18 UNEF	1.062-18 UNEF	1.562 [39.67]
20	1.312-18 UNEF	1.188-18 UNEF	1.710 [43.43]
22	1.438-18 UNEF	1.312-18 UNEF	1.812 [46.02]
24	1.562-18 UNEF	1.438-18 UNEF	1.948 [49.48]
<2> 28	1.812-16 UN	1.750-18 UNS	2.175 [55.24]

<1> HIRELCO HAS INCORPORATED A PATENTED SELF-LOCKING MECHANISM INTO OUR PLUGS THAT HAVE PROVEN TO STAY LOCKED UNDER EXTREME VIBRATION

<2> CONNECTOR SIZE NOT PER M83723

DIMENSIONS ARE IN INCHES [MILLIMETERS], TOLERANCE UNLESS OTHERWISE NOTED IS ±.005 [0.13]